

Problems with dirt in lacquering plants?



The flexible IVS brushing system

is cleaning rapidly and thoroughly

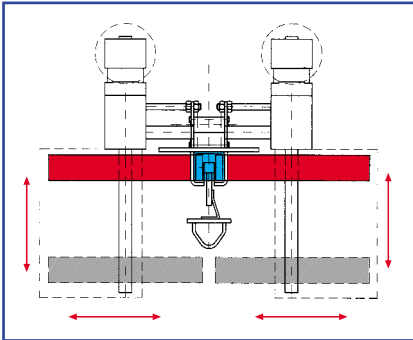
● conveyor chains ● traverses suspension ● tackles

IVS

POWER CLEAN

The IVS brushing system in modular construction **flexible – rapid – efficient – open-ended**

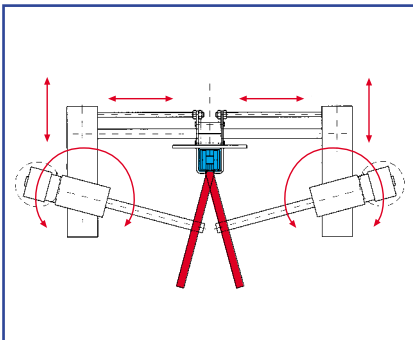
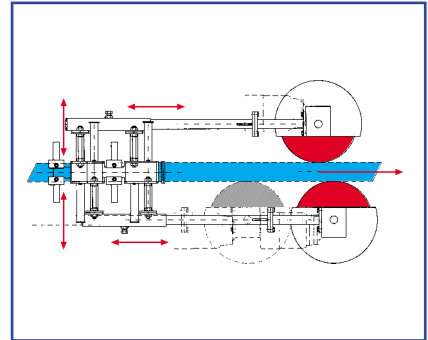
Profile section:



IVS-HR 2

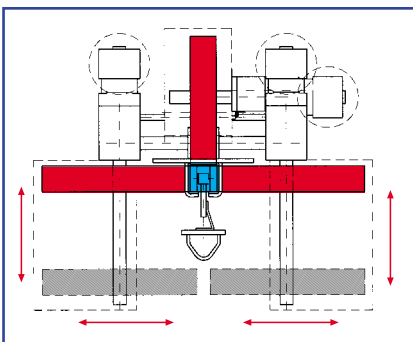
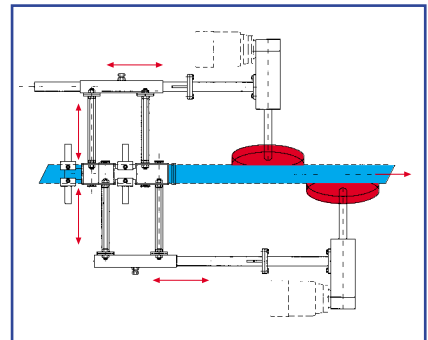
Working area:
Horizontal
Radial
2 driven brushes

Top view:



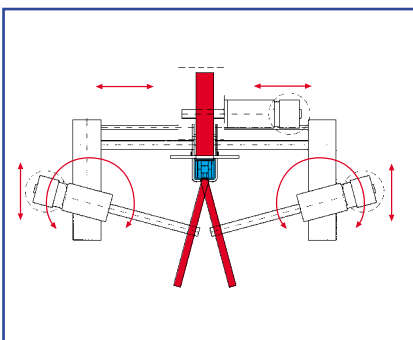
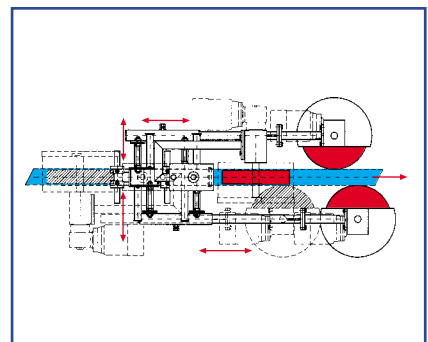
IVS-HR-S 2

Working area:
Horizontal
Radial
Continuously slewable
2 driven brushes



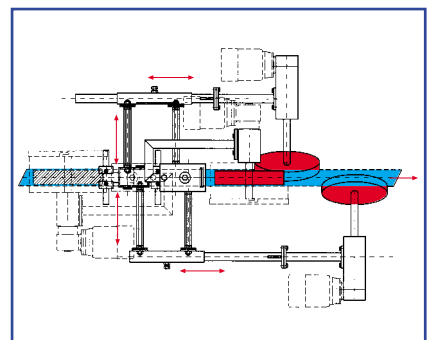
IVS-HRV 3

Working area:
Horizontal
Radial
Vertical
3 driven brushes



IVS-HRV-S 3

Working area:
Horizontal
Radial
Vertical
Horiz. continuously slewable
3 driven brushes



Technical data

Actuation:

Engine: 0,18 KW/1750min-1
 50 Hz 230/400 V/IP 55
 Gear: Worm gear I=1:5,0
 Speed: 275min.-1
 Shaft/Nut: Ø 25mm/6,0mm
 Power connection: 5,0m cable with plug

Seating / seating arms:

Fixture: 4 universal clamp straps
 Bearing: linear ball bearing
 Seating arm: double guide Ø 25mm
 Locking: thread spindle/nut
 Vertical seating: rotating bearing

Telescopic arms:

Bearing: slide bearing
 Locking: spring pin
 Grid: 25mm

Brush seating:

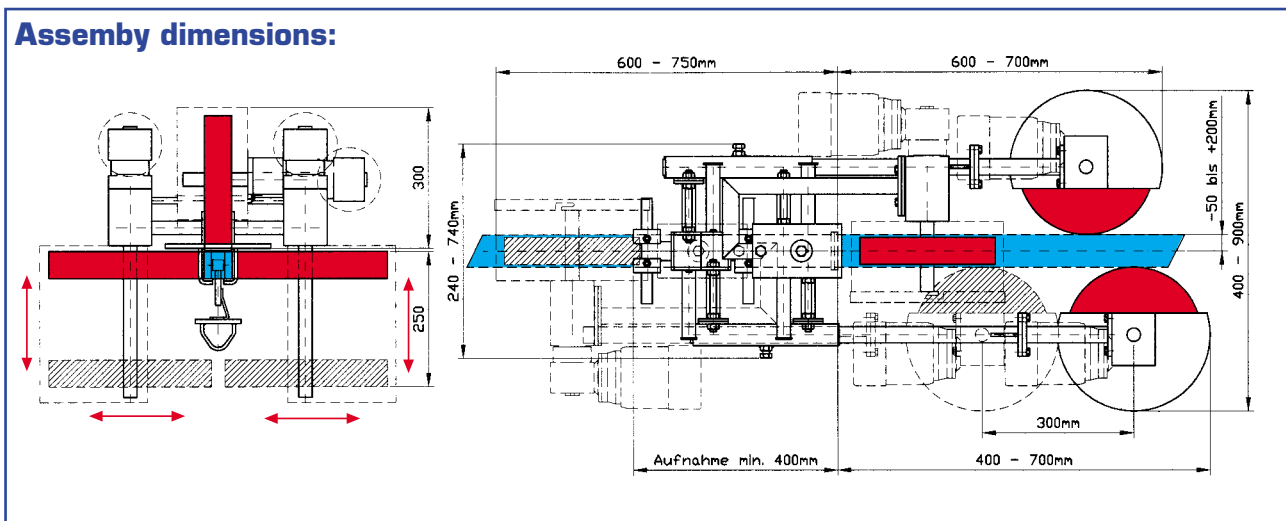
Bushing: screwed in
 Adjustment: Axial screwed in
 shaft-nut




Protective cover:

Seating: provided with screw thread
 Adjustment: infinitely
 Lid: removable

Electric control: 1 control box with illuminate button ON-OFF and CEE plug 16A / 3x400V

Assembly dimensions:



Brush	B	Ø	trimming:		
			dirt:	Nylon loose	dragging Nylon adhering
	20	250		X	X
		300	X	X	X
	50	250	X	X	X
		300	X	X	X
	80	250	X	X	X
		300	X	X	X

We are offering cleanness, which is profitable.



Application:

The IVS brush system is built in modular construction and can be extended at any time, it is easy-to-mount and as well easy to adjust for any dirty areas.

It is equipped with adjustable dirt hoods incl. removable lid. Any additionally required protective equipment as well as eventual devices are to be provided by the customer.

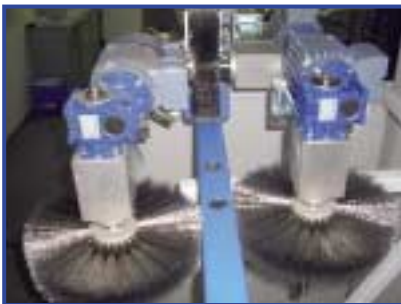
The IVS brush system is appropriate for any merchantable conveyors and is best appropriate for the use for any dirty areas due to its compact structural shape, robust type and variable adjustment – **conveyor chains – traverses – suspension tackles**.

For the optimum dirt removal and corresponding to any type and adhesion of the dirt, brushes with different dimensions and trimmings are available.

The cleaning is performed automatically by passing through the machine in addition to the **IVS Powerclean wet cleaning** or separately as dry cleaning.

We offer the complete cleaning also as service.

Example for application brush cleaning:



IVS-HR-S 2
Cardan chain on both sides + bottom
Trimming: SS wire/dragging Nylon

IVS-HRV 3
Cardan chain
On both sides + top
Trimming: SS wire



IVS-HR 2
Cardan chain on both sides
Trimming: dragging Nylon



IVS-HR 2
Turning suspension tackles on both sides
Two-way brush: Nylon



IVS-HR 2
Plug chain on both sides
Trimming: dragging Nylon



Please send your request to:

IVS
**POWER
CLEAN**

INDUSTRIEVERTRETUNG SCHMIDT

Am Markt 16 · 27419 Sittensen
Phone +49 (0) 42 82 / 50 84 38
Fax +49 (0) 42 82 / 50 84 39
Mobile +49 (0) 172 / 41 08 387

info@ivs-powerclean.de

www.ivs-powerclean.de